

Please install in the contents of this manual it properly.

Safety of caution

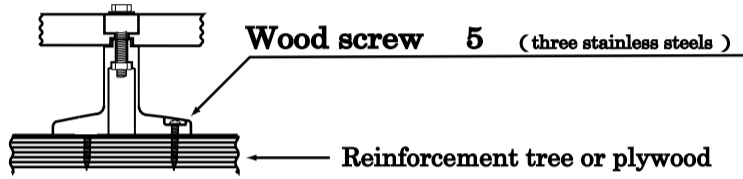
Please Install this safety of caution that being read well before the caution installation properly. Please shown below "⚠ warning" because it has the possibility that it happen with the serious result (difficulty, thing loss) by the conditions. Please protect it sure because it is the contents which are important about the safety are mentioned. Please confirm any such a thing after installation completion that must do not trouble there in accordance with this manual, and must shown your guest how to use the method and care of method.



Warning

Please caution to the follow point on the occasion of the execution to keep degree of installation strength. It is possible comes off tesrix anytime that it is likely to get injury when it has lack of installation strength because tesrix sometimes takes over the body weight.

If wall has lacks strength itself (stone, like this, in such cases as the board), that must install this properly that the wooden reinforcement which has strength fully, or and fixed property the pillar in the pillar or pillar of the space.



Must be sure to pack mortars into the hollow part of the block when you fix an anchor on the block wall.

Please confirm the strength of foundation about that execution to the tile face.

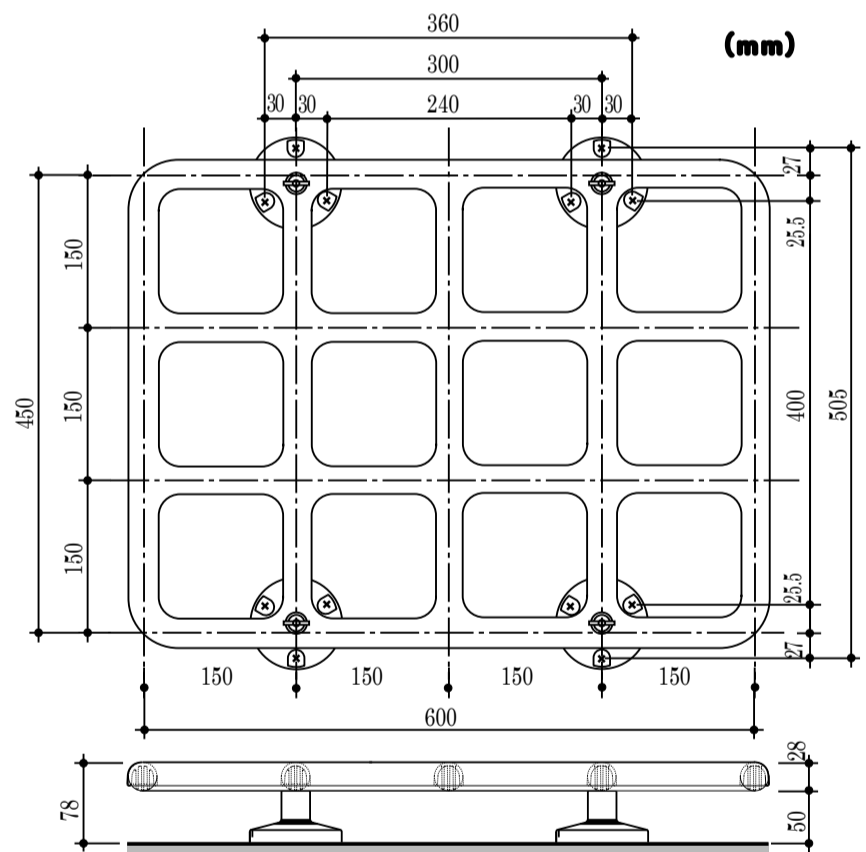
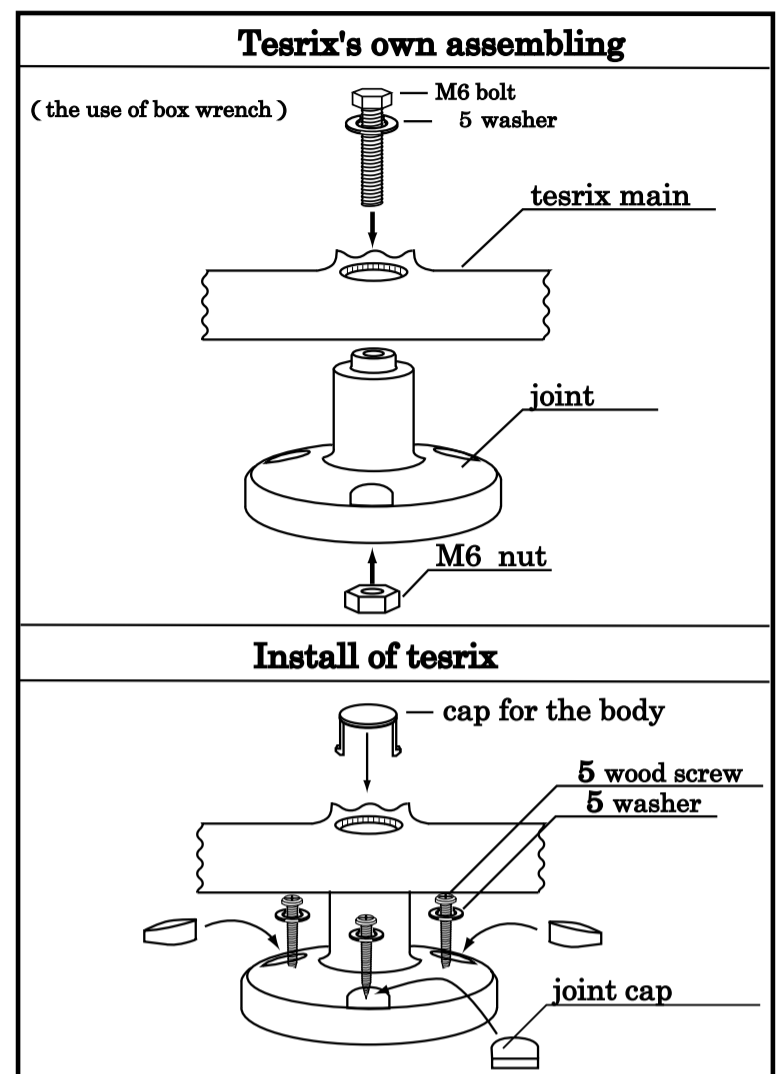
- Do not wipe it with the solution which dissolves a plastic such as benzene. Keep it away to the fire.
- Do not to put a wound by cutlery thinks.
- Do not use except handrail.service
- Do not use ladder and ramp . It is very dangerous
- Be careful of keeping safety when you install it especially in the window.
- Clean the back of tesrix by using the soft brush.

Caution before the installation

Confirm the following, a contents thing.

No.	trade name	quality of material	figure	quantity
1	tesrix main	plastic		1
2	joint	plastic		4
3	cap for the body	plastic		4
4	joint cap	plastic		12
5	M6 bolt L=25mm	stainless steel		4
6	M6 nut	stainless steel		4
7	φ 6 washer	stainless steel		4
8	5 wood screw L=40mm	stainless steel		12
9	5 washer	stainless steel		12
10	execution manual	paper	this letter	1

Adhesion parts (option) is available in this case of the tile that put on which can secure the strength of foundation.



A fundamental dimension
(As for the details, it is attached to the plastic goods, and there are some errors.)



Example for rest room installation



Example for bathroom installation

www.tesrix.com
tx@028.co.jp